

Sanicubic 1 VX

Grey water, black water

Sanicubic 1 VX is 1 pump lifting station equipped with a vortex wheel. It is designed for lifting waste water from pavilions or small commercial premises. Sanicubic 1 VX has direct and secure access to the pump and level sensors. The station is delivered with a remote control box and an audible and visual alarm.



PERFORMANCES

- Total manometric head : 13 m
- Max. flow rate : 40 m³/h

PRODUCT BENEFITS

- Installation without excavation.
- Accessibility in case of maintenance.
- 3 inlets.
- Vortex wheel.
- Direct and safe access to the pump.
- Including remote control panel.
- Including wired alarm.



01020100133M



DELIVERED AS STANDARD

Classic control Box



Remote wired audible and visual alarm unit (5m)



CONNECTIONS



 External inlet diameter : 40, 50, 100, 110, 125 mm

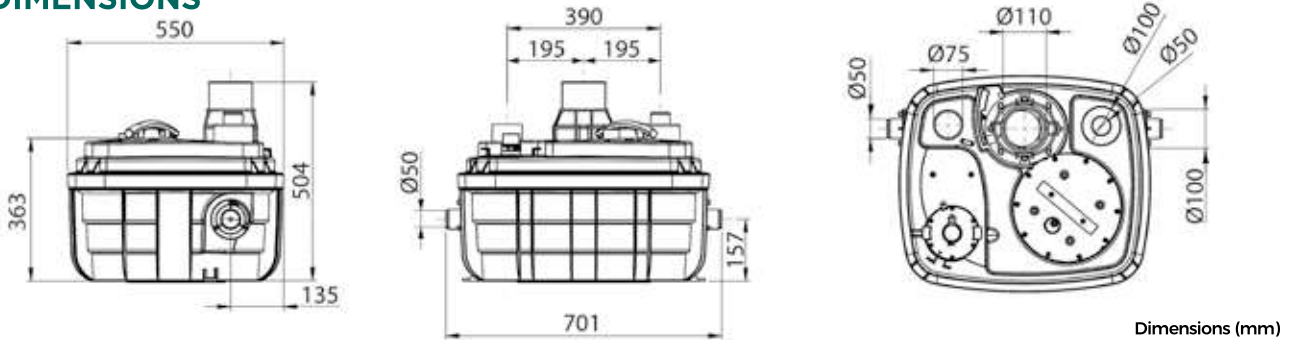
 Discharge diameter ext. : 90/110 mm

 Ext. ventilation diameter : 75 mm



Impeller vortex

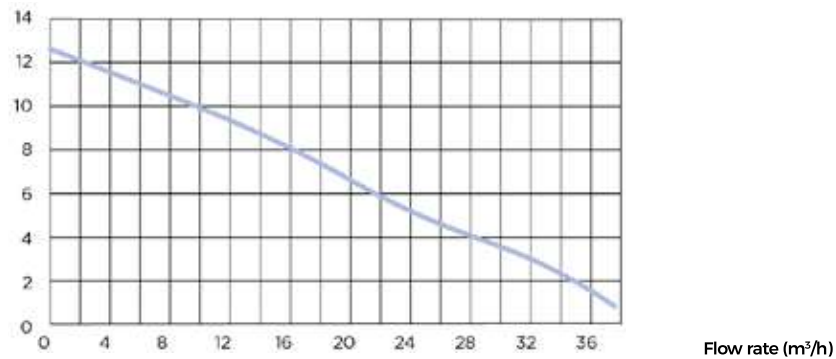
DIMENSIONS



Dimensions (mm)

CURVE

Discharge height (m)



Flow rate (m³/h)

Sanicubic 1 VX

Type of control box	Classic
Material	
Tank	PP GF
Pump housing	PA 12 GF
Motor housing	PA 12 GF
Impeller	PPO GF
Technical features	
Voltage (V)	230
Frequency (Hz)	50-60
Power consumption P1 (W)	2000
Power output P2 (W)	1400
Mode of operation	S3 15%
IP Rating	IP68
Hydraulics	
Total manometric head (m)	13
Max. flow rate (m ³ /h)	40
External inlet diameter (mm)	40, 50, 100, 110, 125
Discharge diameter ext. (mm)	90/110
Ext. ventilation diameter (mm)	75
Total volume (L)	60
Useable volume (L)	21
ON Level /OFF level (mm)	165/95
Alarm level (mm)	235
Particle size (mm)	50
Max. temperature of the pumped liquid (5 min)	70 °C
Type of impeller	Vortex
Type of activation	Pneumatic
Identification and logistics	
Gross weight (kg)	30
Factory code	CUBIC1XLVX