

Sanicubic 1 WP

Grey water, black water

Sanicubic 1 WP lifting station is designed for individual use (house, small commercial premises) and collects all waste water from toilets, bathrooms, kitchens or laundry rooms. The unit benefits from the Pro X K2 grinding technology removing waste water through small 50 mm diameter ext. pipe.



PERFORMANCES

- Total manometric head : 13 m
- Max. flow rate : 15 m³/h

PRODUCT BENEFITS

- Simple and easy installation.
- 4 inlets, 2 of which are low for greater installation flexibility.
- ProX K2 grinding technology lifts wastewater through a 50 mm ext. diameter hose.
- IP68 reinforced seals and remote control.
- Removable motor and level sensors for ease of maintenance.



BYCUT-00153M



DELIVERED AS STANDARD

Classic control Box



Remote wired audible and visual alarm unit (5m)



CONNECTIONS



 External inlet diameter : 40, 50, 100, 110 mm

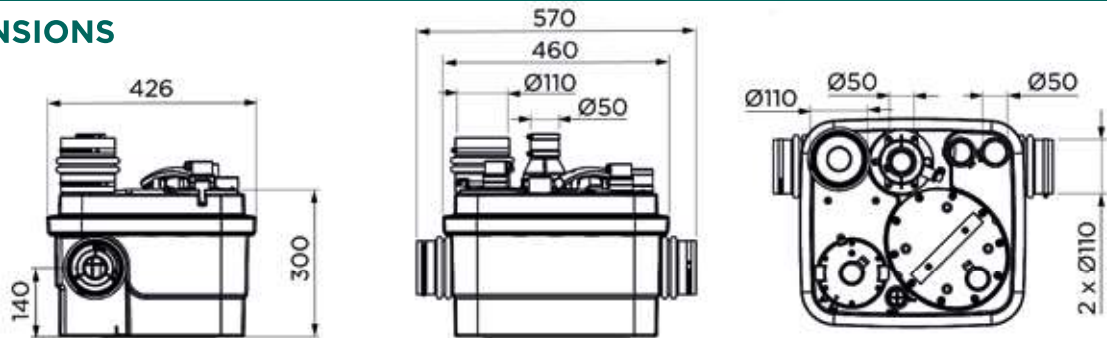
 Discharge diameter ext. : 50 mm

 Ext. ventilation diameter : 50 mm



Pro X K2 grinder

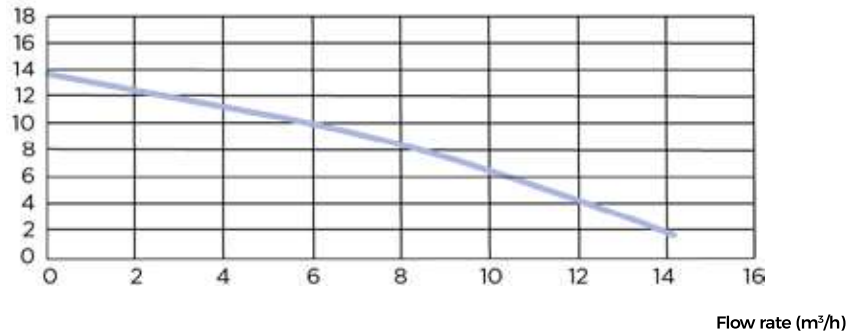
DIMENSIONS



Dimensions (mm)

CURVE

Discharge height (m)



Flow rate (m³/h)

Sanicubic 1 WP

Type of control box	Classic
Material	
Tank	PP
Pump housing	PA 12 GF
Motor housing	PA 12 GF
Impeller	PP GF
Technical features	
Voltage (V)	230
Frequency (Hz)	50-60
Power consumption P1 (W)	1500
Power output P2 (W)	1050
Mode of operation	S3 30%
IP Rating	IP68
Hydraulics	
Total manometric head (m)	13
Max. flow rate (m³/h)	15
External inlet diameter (mm)	40, 50, 100, 110
Discharge diameter ext. (mm)	50
Ext. ventilation diameter (mm)	50
Total volume (L)	32
Useable volume (L)	10
ON Level /OFF level (mm)	140/70
Alarm level (mm)	210
Max. temperature of the pumped liquid (5 min)	70 °C
Type of impeller	Pro X K2 grinder
Type of activation	Pneumatic
Identification and logistics	
Gross weight (kg)	23
Factory code	CUBIC1IP68NM